

6

5

4

3

2

1

D

D

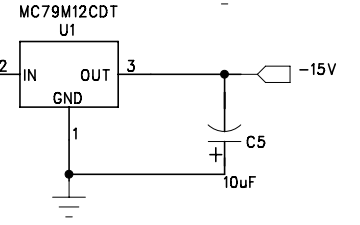
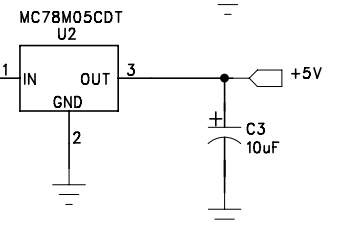
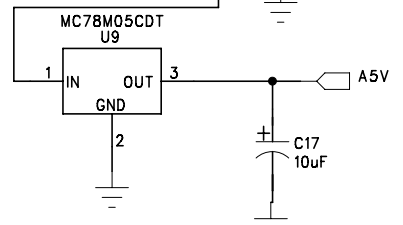
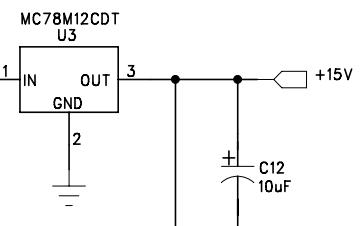
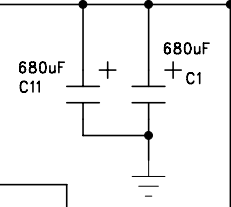
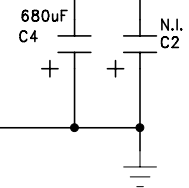
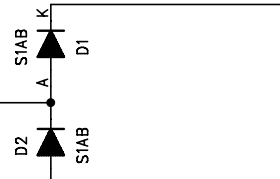
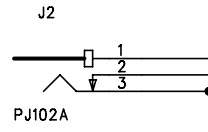
C

C

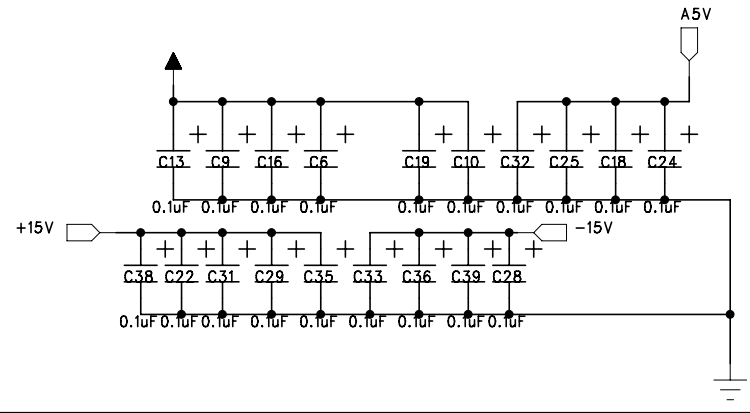
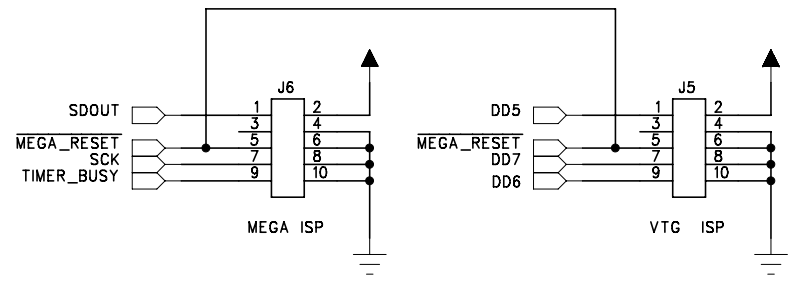
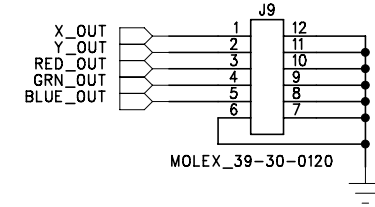
B

B

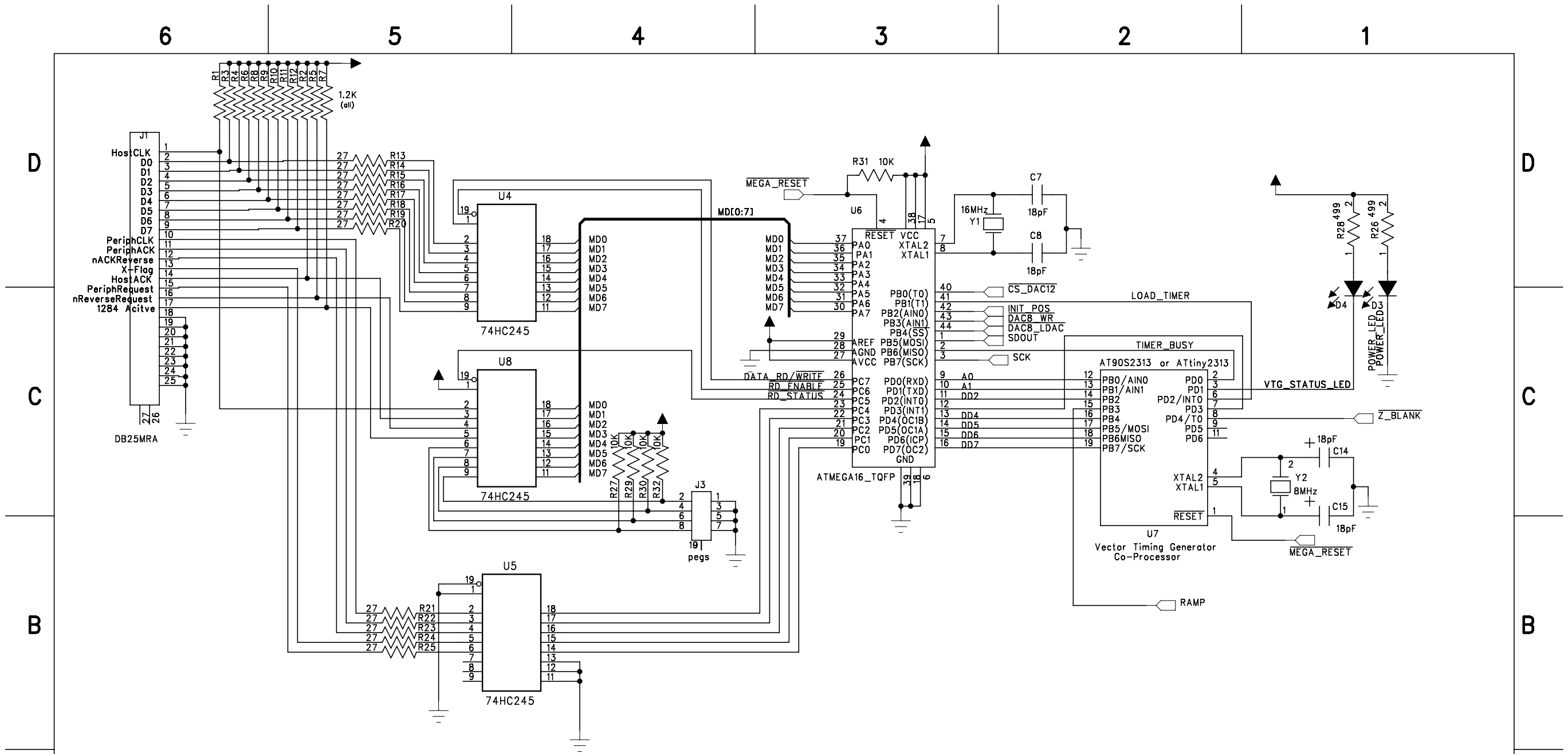
A



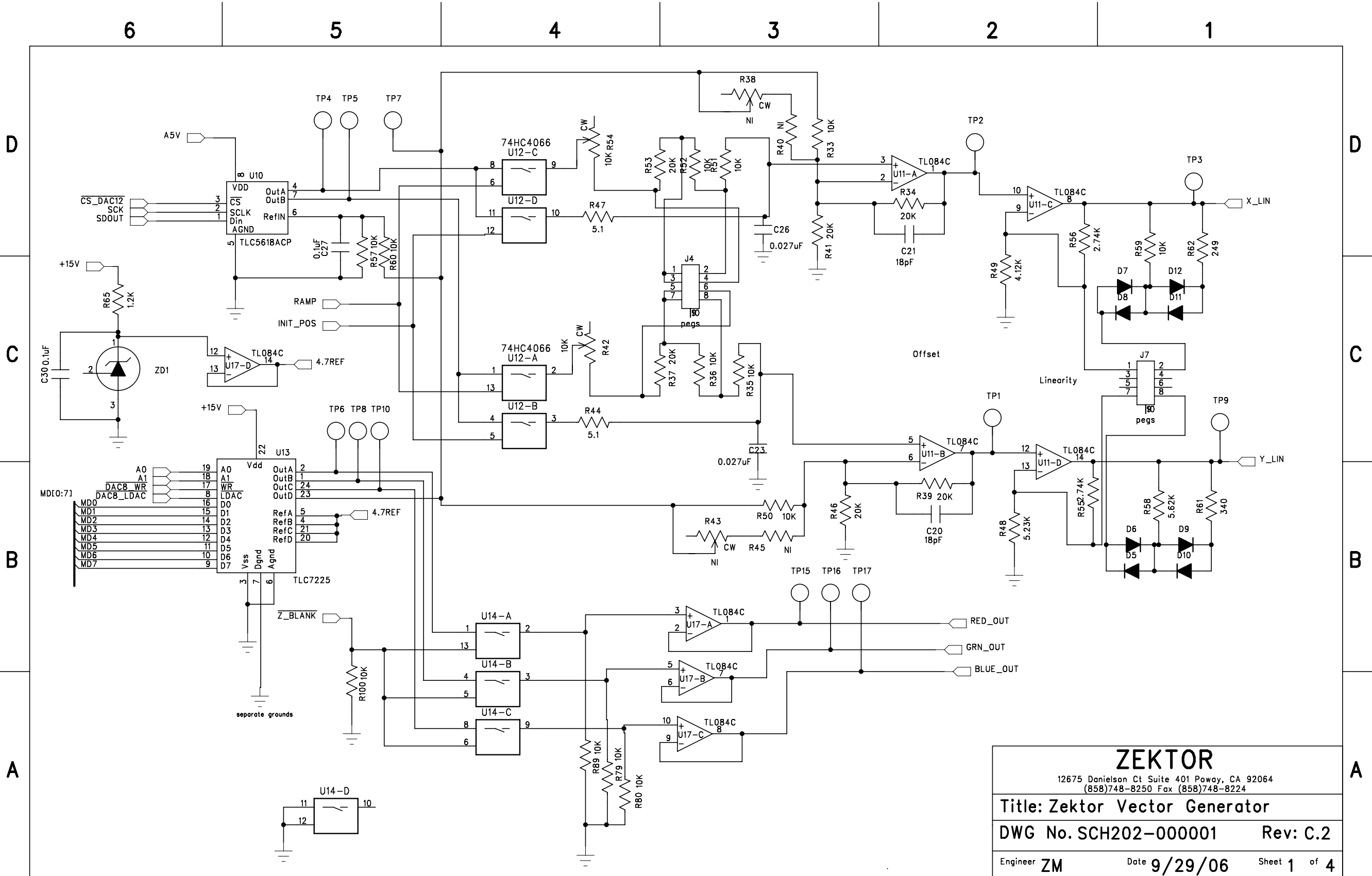
- (mounting holes)
- MH1
  - MH125\_250
  - MH2
  - MH125\_250
  - MH3
  - MH125\_250
  - MH4
  - MH125\_250



<b>ZEKTOR</b>	
<small>12675 Danielson Ct Suite 401 Poway, CA 92064 (858)748-8250 Fax (858)748-8224</small>	
<b>Title: Zektor Vector Generator</b>	
<b>DWG No. SCH202-000001</b>	<b>Rev: C.2</b>
Engineer <b>ZM</b>	Date <b>9/29/06</b> Sheet <b>1</b> of <b>4</b>



<b>ZEKTOR</b>	
12675 Danielson Ct Suite 401 Poway, CA 92064 (858)748-8250 Fax (858)748-8224	
Title: Zektor Vector Generator	
DWG No. SCH202-000001	Rev: C.2
Engineer ZM	Date 9/29/06 Sheet 1 of 4



<b>ZEKTOR</b>		
12675 Danielson Ct Suite 401 Poway, CA 92064 (858)748-8250 Fax (858)748-8224		
Title: Zektor Vector Generator		
DWG No. SCH202-000001		Rev: C.2
Engineer ZM	Date 9/29/06	Sheet 1 of 4

6

5

4

3

2

1

D

D

C

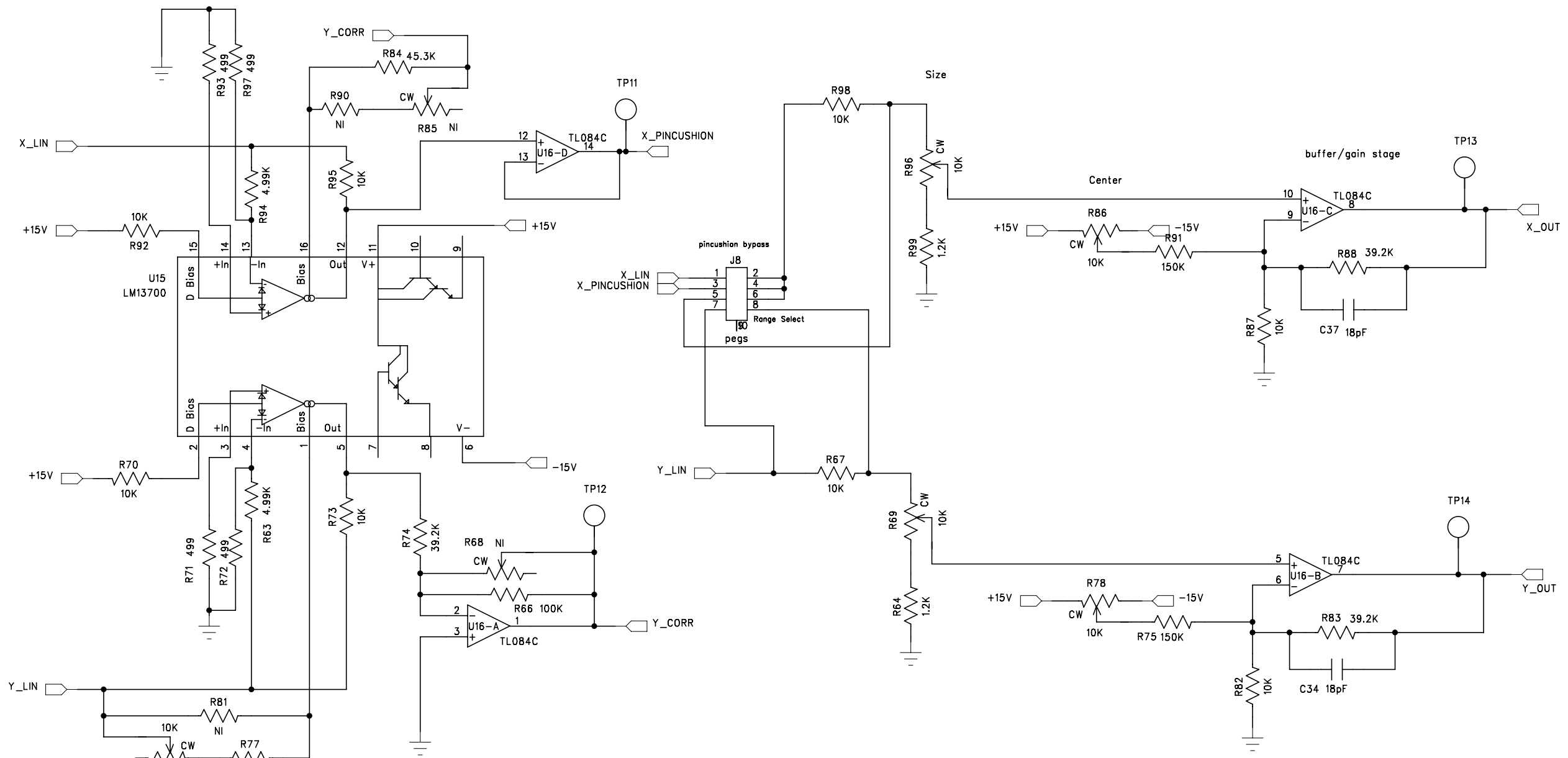
C

B

B

A

A



<b>ZEKTOR</b>	
12675 Danielson Ct Suite 401 Poway, CA 92064 (858)748-8250 Fax (858)748-8224	
Title: Zektor Vector Generator	
DWG No. SCH202-000001	Rev: C.2
Engineer ZM	Date 9/29/06 Sheet 1 of 4